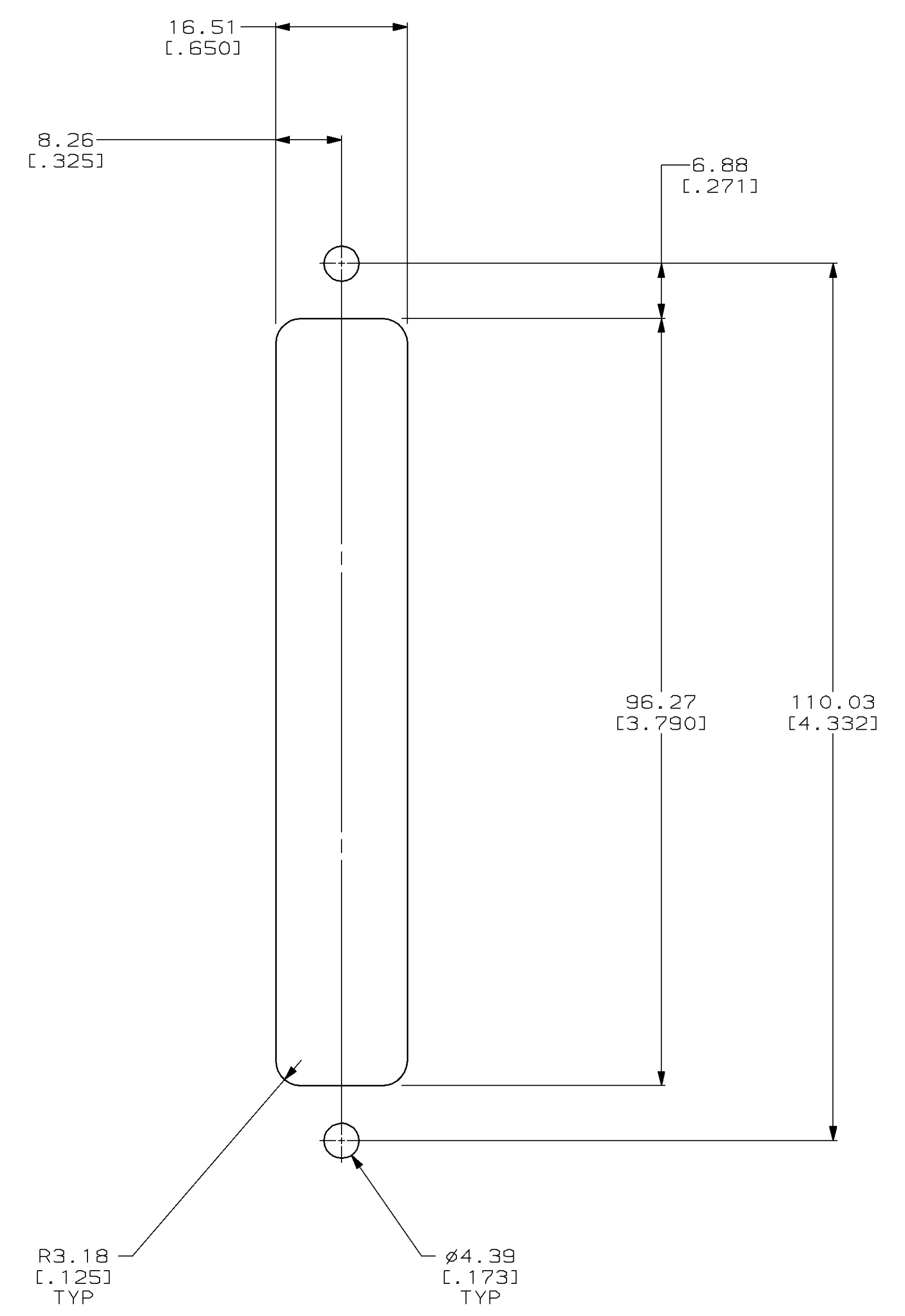
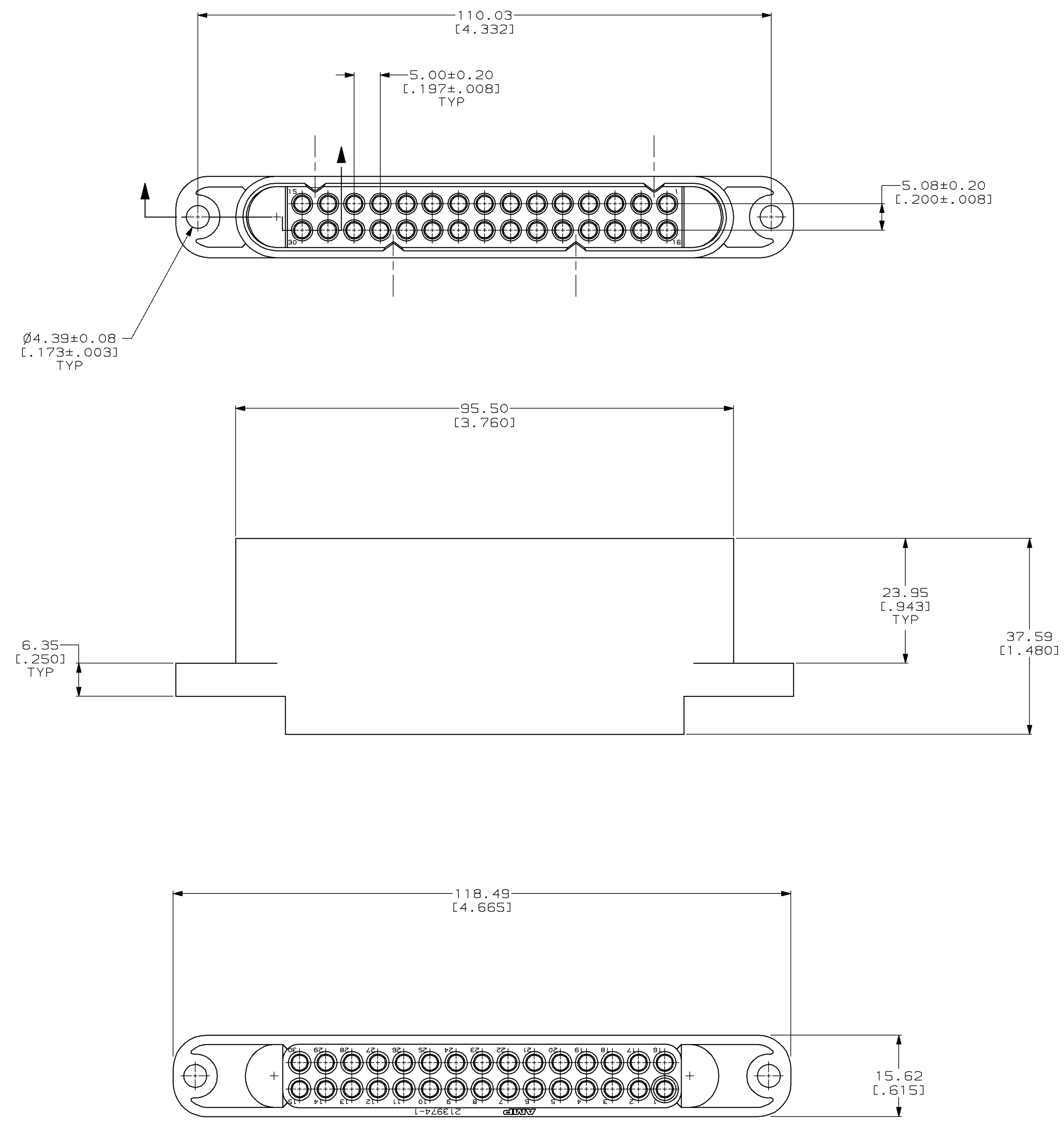


LOC	DIST	REVISIONS			
P	LTR	DESCRIPTION	DATE	DMN	APVD
0		RLSE PER NPR 37 WAS 97-5018-4-1	15 MAY 97	-	-
A		REV PER EC 0320-15-98	26 JAN 98	MB	MM
B		REV PER EC 061C-35-98	14 APR 98	PB	MM

1. THIS HOUSING ACCEPTS TYPE III+ PIN CONTACTS.



213974-1
 PART NUMBER

THIS DRAWING IS A CONTROLLED DOCUMENT.		DMN C. OBERMAN 15 MAY 97	AMP Incorporated Harrisburg, PA 17105-3508
DIMENSIONS mm (INCHES)	TOLERANCES UNLESS OTHERWISE SPECIFIED:	CHK R. STONE 20 MAY 97	APVD M. McALONIS 21 MAY 97
0 PLC ±	1 PLC ±	PRODUCT SPEC	NAME HOUSING, RECEPTACLE 30 POSITION, METRIMATE
2 PLC ±0.13 (0.005)	3 PLC ±	APPLICATION SPEC	SIZE A1
4 PLC ±	ANGLES ±	114-10039	CAGE CODE 00779
MATERIAL POLYESTER, BLACK	FINISH -	WEIGHT -	DRAWING NO 213974
CUSTOMER DRAWING		SCALE 2:1	SHEET 1 OF 1